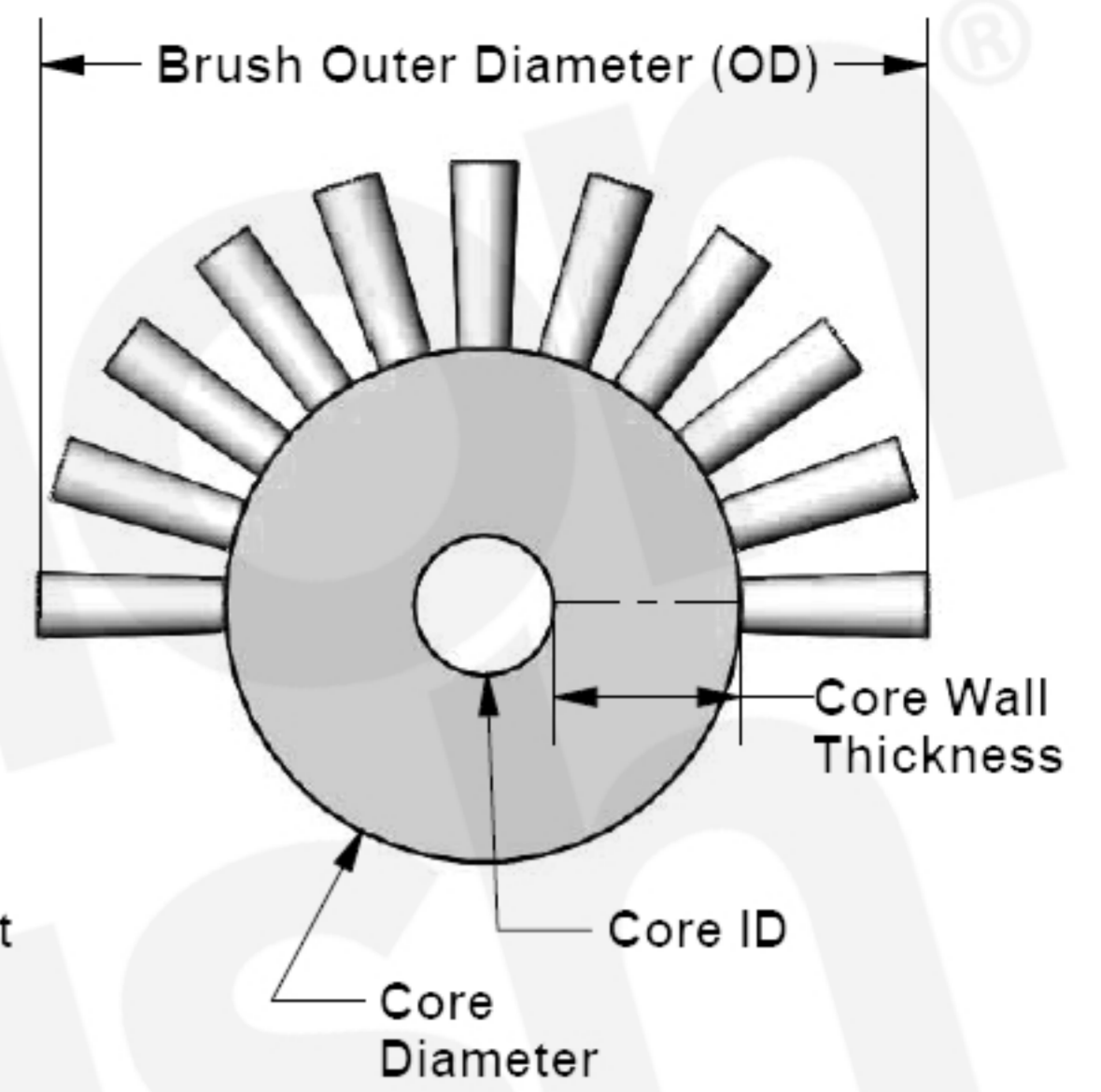
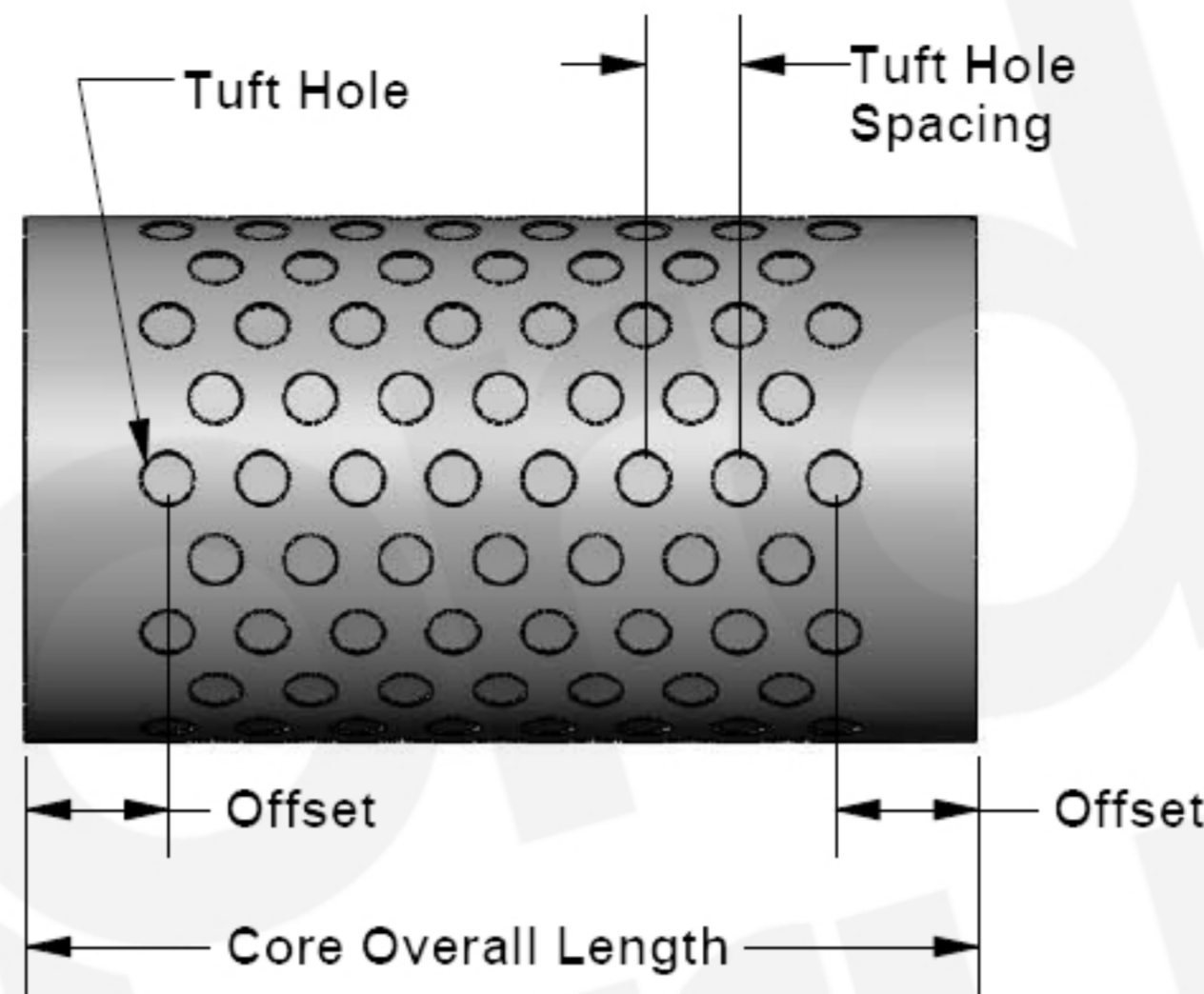
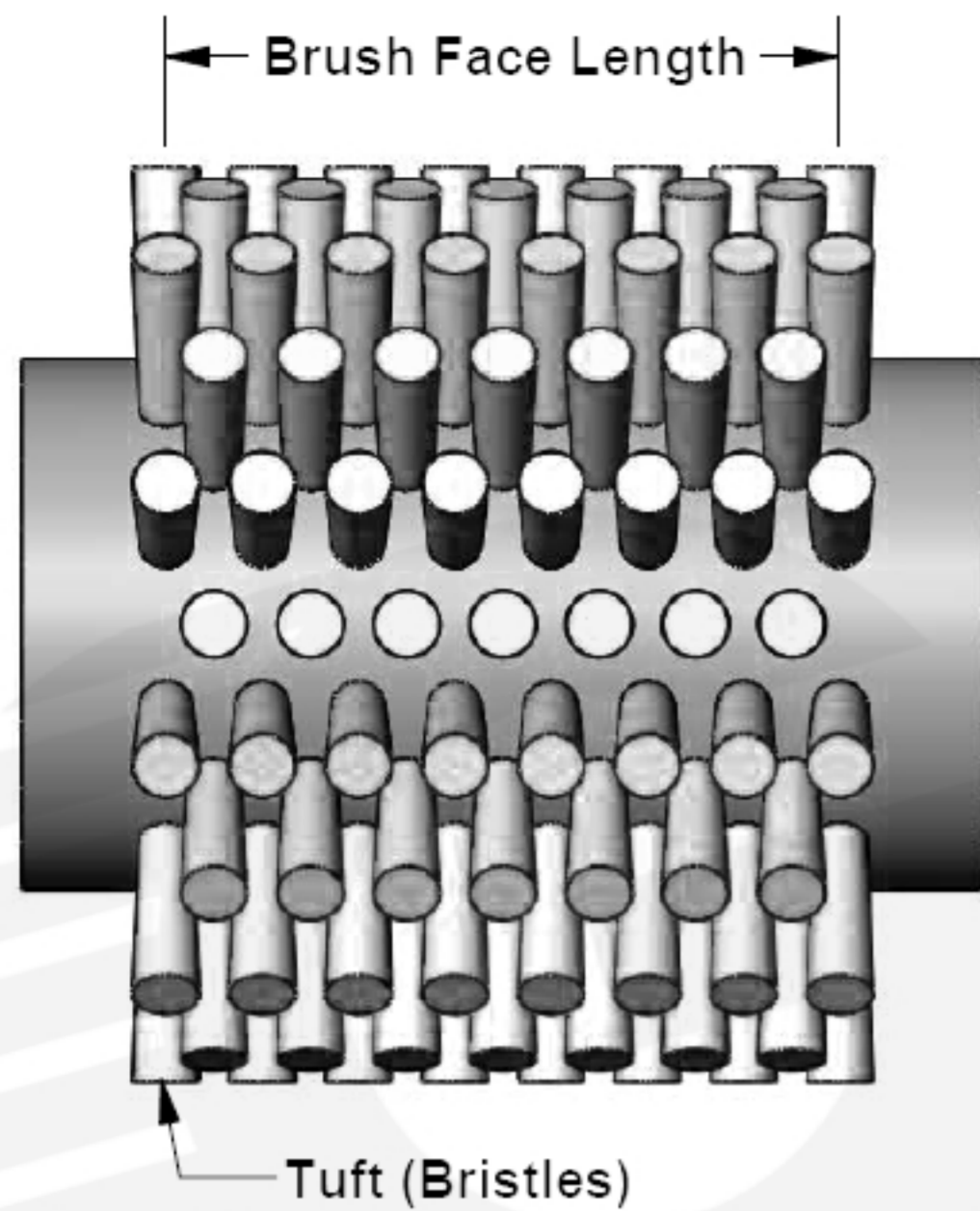


DESIGN SHEET: STAPLE SET CYLINDER BRUSHES



Brush Information

Brush Face Length _____

Brush Diameter (OD) _____

Fill Material Type _____
(Options: Nylon, Brass, Stainless Steel, Horse Hair, Hog, etc.)

Fill Diameter _____
(Refers to the diameter of one strand of Bristle)

Fill Color _____
(Typical Colors: Black or Natural, other colors available upon request)

Fill Style: Crimped or Level (straight)

Core Information

Plastic Core Material _____
(Options: HDPE, Delrin, Nylon, PVC, UHMW, etc.)

Core Length _____

Core Diameter _____

Keyway: 1/4 3/16 1/8

Set Screws: one end both ends

Core ID / Arbor Hole Diameter _____

Left Side Offset _____

Right Side Offset _____

Tuft Hole Size/Diameter _____
[Optional Range from 2mm (.078") up to 8mm (.31") max.]

Tuft Hole Spacing (Center to Center) _____

Tight Normal Loose

Tuft Hole Pattern:

Staggered Straight Chevron

Spiral Herringbone Double Chevron

Number of Tuft Holes Per Rotation & Length: _____

Shaft Information (Optional)

Shaft Overall Length _____

Shaft Material Type (if we provide) _____
(Options: Steel or Stainless Steel)

Spiral, Herringbone, & Chevron Pattern:

*Pitch- Distance Between Each Tuft Hole Row (Per One Rotation): _____

*Degree of Angle (if applicable) _____

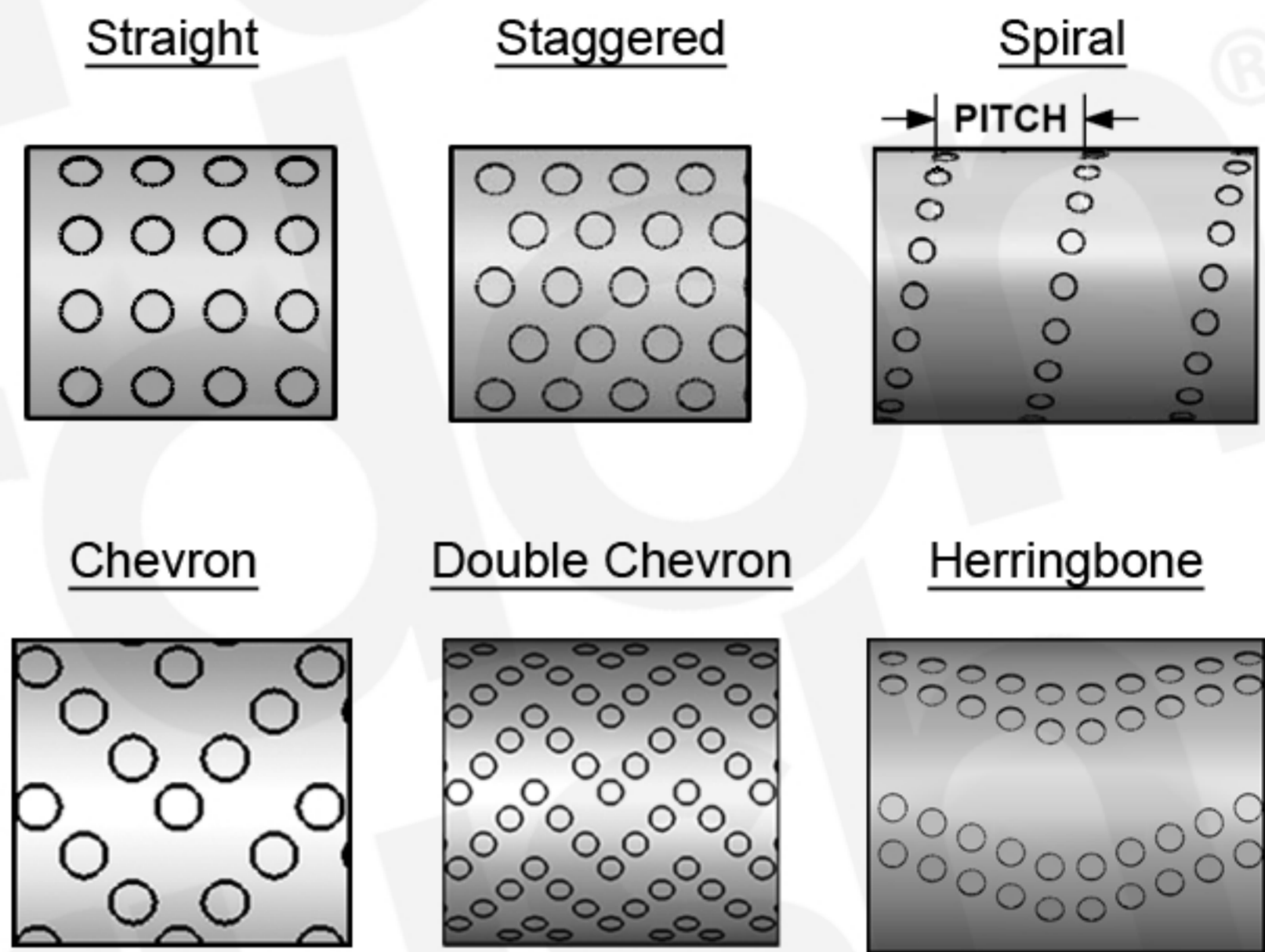
Current Brush or is this a New Brush? _____

Brush Application (wet or dry, used with chemicals?) _____

Annual Usage _____

Order Quantity _____

Brush Patterns:



CUSTOMER CONTACT INFORMATION

Name _____

Company _____

Address _____

Phone _____

Email _____

Comments:



3737 Capitol Avenue
 City of Industry, CA 90601

CALL
(800) 933-0933
 phone : (323) 724-7777
 fax : (323) 724-1111
 email : sales@gordonbrush.com
 web : www.gordonbrush.com